

## Peripheral Component Interconnect Mezzanine Card

*(Universal Asynchronous Receiver and Transmitter)*

### Key Features

- PCI 32-bit, 66MHz PMC interface
- Support one dedicated RS232 channel, Full duplex.
- Supports seven Switchable RS232/RS422 channels
- Programmable baud rates for RS232/RS422
- 64 byte transmit & receive FIFO per channel for UART
- Readable FIFO levels
- Global Interrupt Source Register
- General Purpose 16 bit Timer/Counter
- ESD protected transceiver (up to  $\pm 15KV$ )
- Device drivers Linux 2.4 & 2.6

### Product Features:

The Cornet PMC OCTAL UART Card in PMC form factor provides cost-effective, reliable Serial Communication. The PMC has been designed especially for high-availability, high bandwidth access applications. The Cornet's UART-PMC module can be plugged into any VME, cPCI boards those have PMC extender slots. Cornet PMC Provide one channel dedicated RS232 channel and seven nos configurable RS232/422 channels.

### PCI Features:

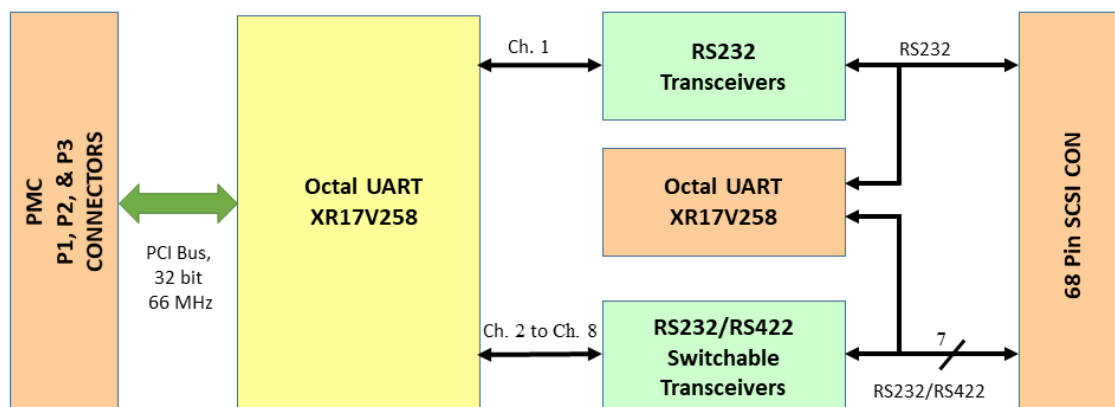
The OCTFL-PMC module is compatible with the PCI specification 2.3 and run on 32-bit bus size at 66 MHz frequency. 3.3V PCI signaling mode is supported and offer compatibility with a wide range of carrier boards. Data transfer operations can be formatted in 8-bit, 16-bit, 24-bit or 32-bit wide.

## UART Design

A 7.3728 MHz standard oscillator is used to provide standard asynchronous baud rates. Baud rate is software configurable from 20 bps to 460.8 kbps, via the on-board programmable baud rate generator. Each UART has its own 64 Byte of transmit and receive FIFO, a set of 16550 compatible control and status registers, and a baud rate generator for individual channel data rate setting. Interrupts are fully supported with four programmable transmit/receive FIFO interrupt trigger levels. In addition, programmable bit length, parity and stop bits are provided to support all asynchronous protocols.

## Specifications

- Architecture:** Standard single-width 32 bit PMC module
- Target Chip:** XR17V258 (Exar)
- Serial Ports:** 1 RS232c Full Modem  
7 RS232/422 ports Configurable
- Connector:** 68 pole SCSI connector
- Power:** +3.3V
- Dimensions:** 149.0 mm X74.0 mm (LxW)
- Operating Temperature:** -10 °C to +55 °C



PMC UART Block Diagram



ISO-9001:2015 Registered

Cornet Technology, Inc. • 6800 Versar Center, Springfield, VA 22151  
703.658.3400 • 703.658.3440 fax • www.cornet.com

© 2019 Cornet Technology, Inc. All rights reserved.

In the interest of continuous improvement, Cornet Technology, Inc. reserves the right to change specifications without prior notice.

Product is Subject to U.S. Export Laws

DS201907