

## Peripheral Component Interconnect Mezzanine Card (Solid State Drive)

### Key Features

- Supports 133 MHz PCI-X 64-bit or Conventional PCI interface
- High-capacity SATA storage PMC
- Rugged SSD for high shock and vibration
- 8GB/16GB & 32GB options
- Support command package auto-write
- 3 additional rear SATA channels
- Supports Serial ATA Generation 2 transfer rate of 3.0 Gb/s
- Serial ATA 1.5/3.0Gbps NAND controller
- Hardware BCH-code ECC capability
- SLC/MLC NAND Flash supported
- performances up to 90MB/sec read and 70MB/sec write
- PICMG PMC-compliant interface
- Windows and Linux support

CORNET SSD is a high performance NAND Flash solid state drive on PMC (IEEE1386.1) form factor. PMC can be used in high-speed and high capacity serial ATA interface solid state disk.

Cornet's PMC SSD Card is based on Silicon Motion's SATA Controller SII3132 and NAND Flash Controller SM2250. The board complies 32 bit, 33 Mhz/66Mhz bus interface and PCI Rev 2.3 compatible.

This card (PMC) provides eight high-speed asynchronous or synchronous serial channels for high-performance communications applications

## Specifications

**Form Factor:** PMC

**PCI Interface:** PCI V.3 .0: 32 bits bus width, up to 66 MHz  
 PCI Clock  
 PEX8112  
 (PCI to PCI express interface)

**SATA Controller:** SII3132 PCIe to SATA 2 port controller

**SATA to NAND flash controller:** SM2250 8 port NAND flash memory interface

**DDR2 SDRAM :** Onboard 2Gbit DDR2 Interface with SM2250

**NAND FLASH memory:** 8 ports of Parallel NAND Flash memory (Sync/Async)  
 Supports all 2x/3x nm MLC/SLC NAND Flash

**Capacity :** 64 GB, 128 GB and 256GB

**Front panel Interface:** SATA port to interface with External Hard disk

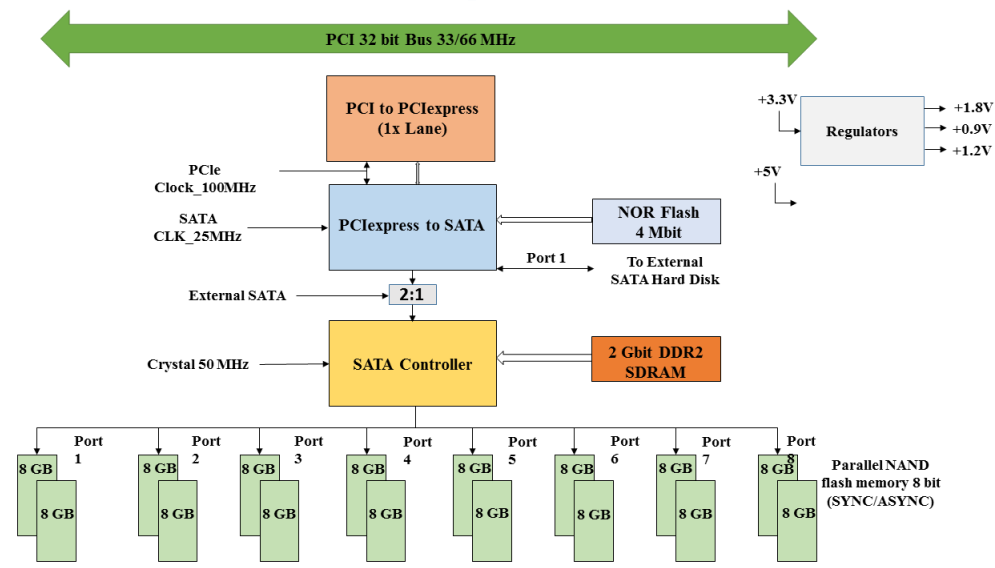
**On board Regulators:** From +3.3V source, +1.5V,+1.2V,+1.8V and 0.9V are generated

**Special Features :**

**Operating Temperature:** -10°C to +55°C

**Cooling:** Air-cooled

**Operating System:** Linux 2.6 & 3.x drivers  
 Windows



PMC SSD Block Diagram



ISO-9001:2015 Registered

Cornet Technology, Inc. • 6800 Versar Center, Springfield, VA 22151  
 703.658.3400 • 703.658.3440 fax • www.cornet.com

Product is Subject to U.S. Export Laws